

For reference only. See data sheet for the detailed specifications.

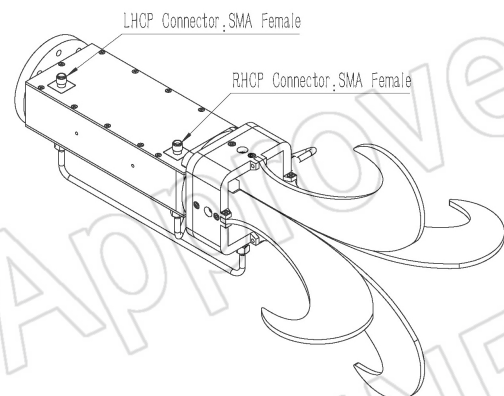
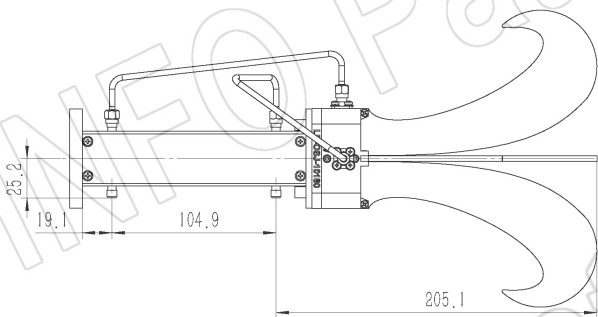
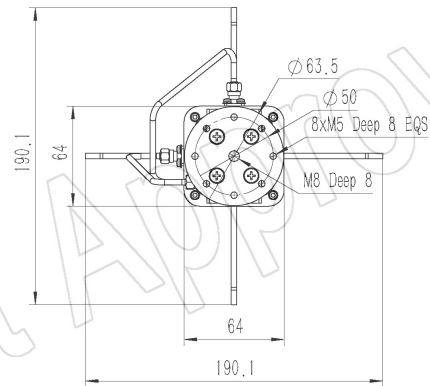
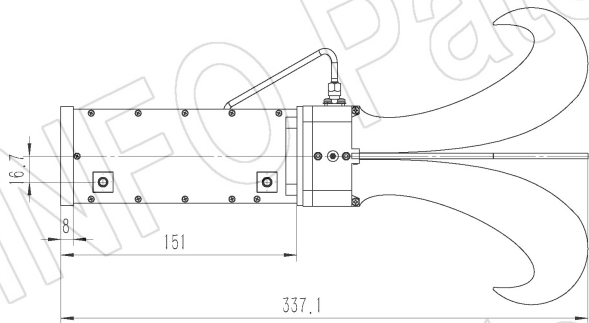
Technical Specification



Frequency Range(GHz)	1.0 – 18.0
Gain(dBic)	10 Typ.
Polarization	Dual Circular
Axial Ratio(dB)	1.5 Typ.
	3.0 Max.
3dB Beamwidth(deg)	E Plane: 152 – 23
	H Plane: 155 – 23
Port to Port Isolation(dB)	10 Typ.
VSWR	1.80:1 Max.
Connector	SMA-Female
Power Handling(W CW)	20 Max.
Material	Al
Finish	Chemical Conversion Coating and Nickel Plated, Anodizing
Size(mm)	190.1 x 190.1 x 337.1
Net Weight(Kg)	1.10 Around

PATENT ID (US)
US 11139578
PATENT ID (China)
ZL201921371926.6, ZL201930458720.6

Outline Drawing (Size: mm)

SMA-Female Output (P/N: LB-OSJ-10180-P03)

AINFO Inc.

 China(Beijing):
 China(Chengdu):
 USA :

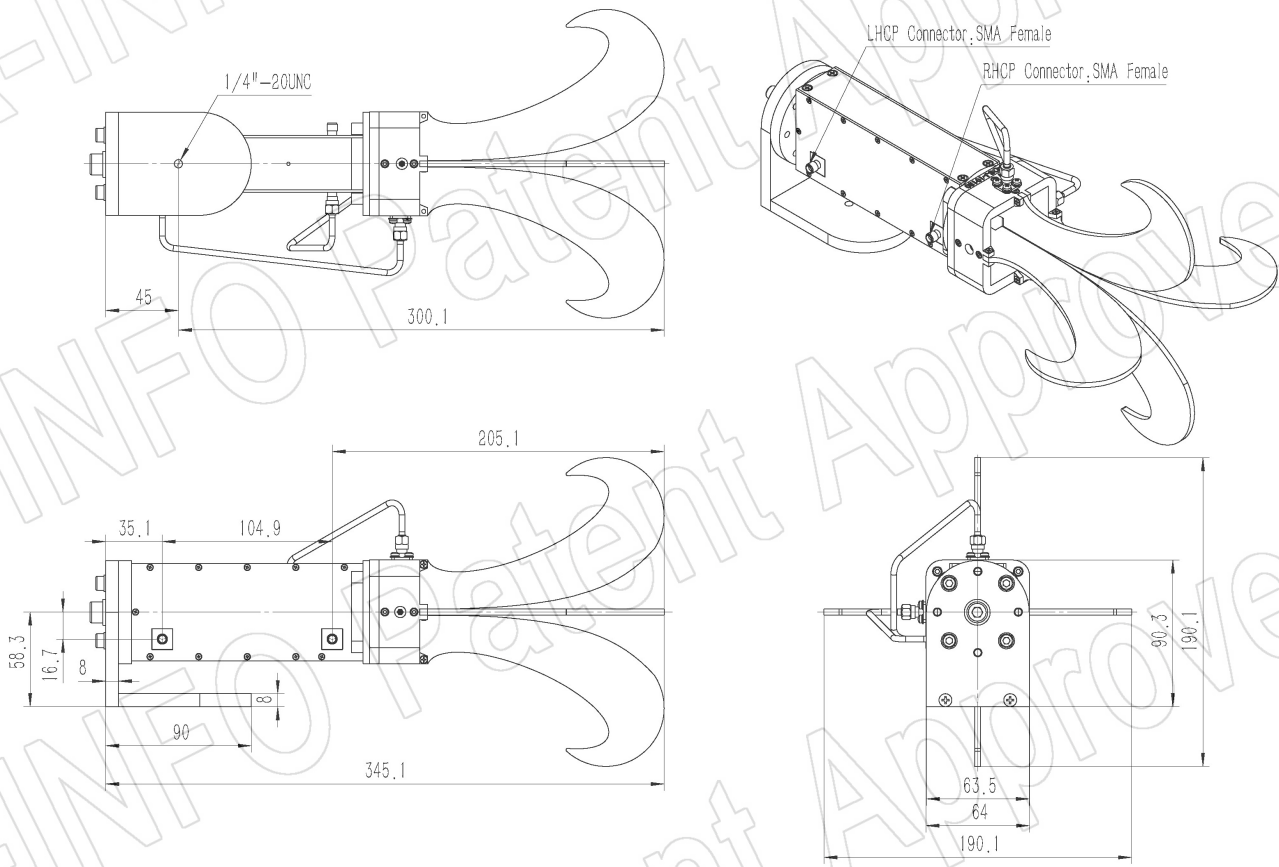
 Tel: (+86) 10-6266-7326,
 Tel: (+86) 28-8519-2786,
 Tel: (+1) 949-639-9688,

 (+86) 10-6266-7327
 (+86) 28-8519-3044
 (+1) 949-639-9608

 Fax: (+86) 10-6266-7379
 Fax: (+86) 28-8519-3068
 Fax: (+1) 949-639-9670

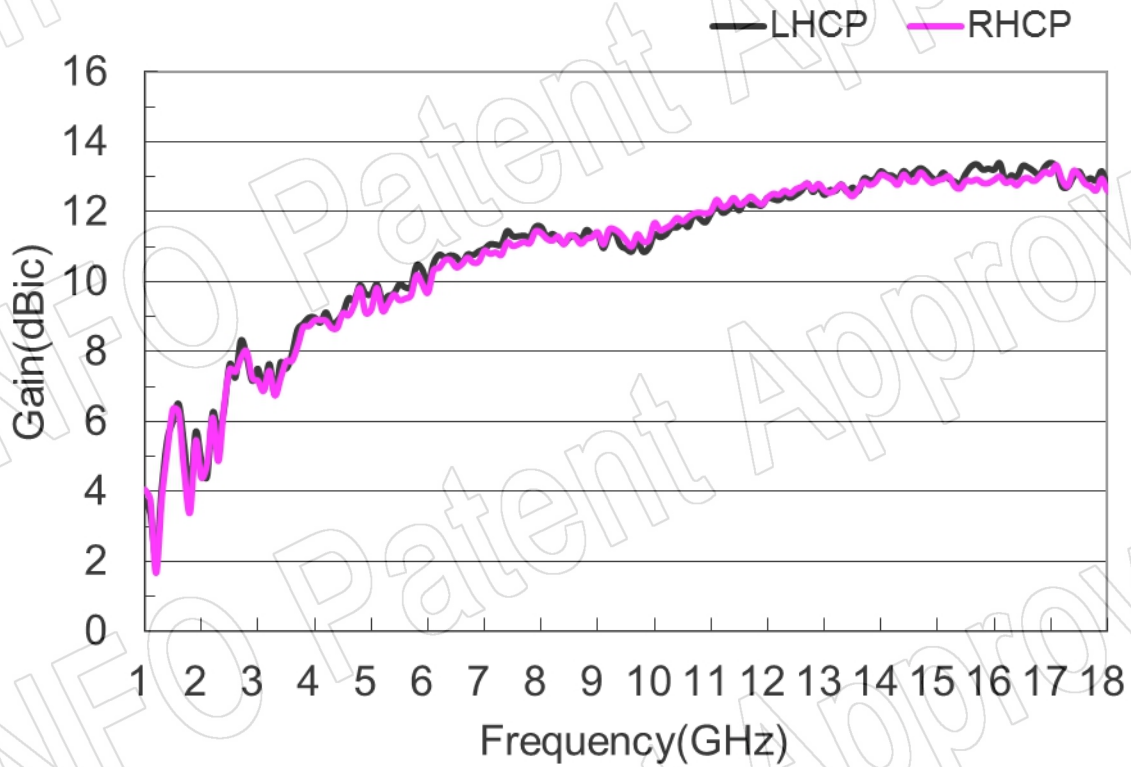
 Website: www.ainfoinc.com
 Email: sales@ainfoinc.com

SMA-Female Output with L Type Mounting Bracket (Option, P/N: LB-10180-L)

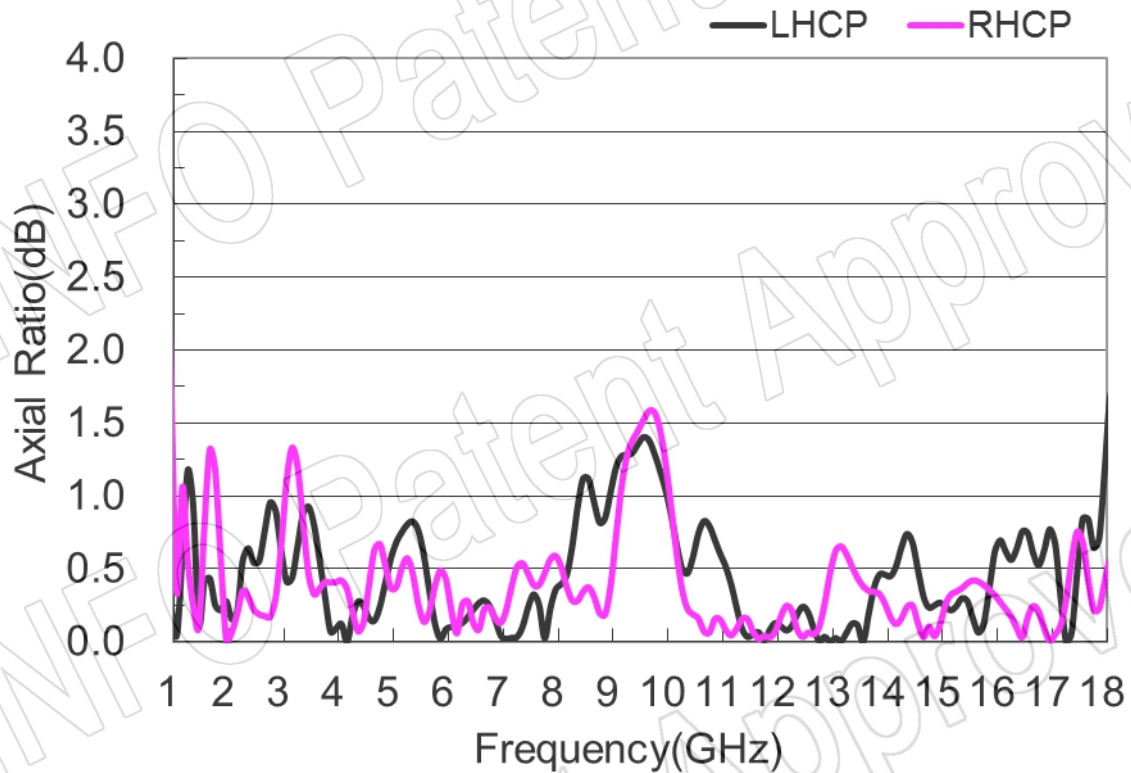


Test Results

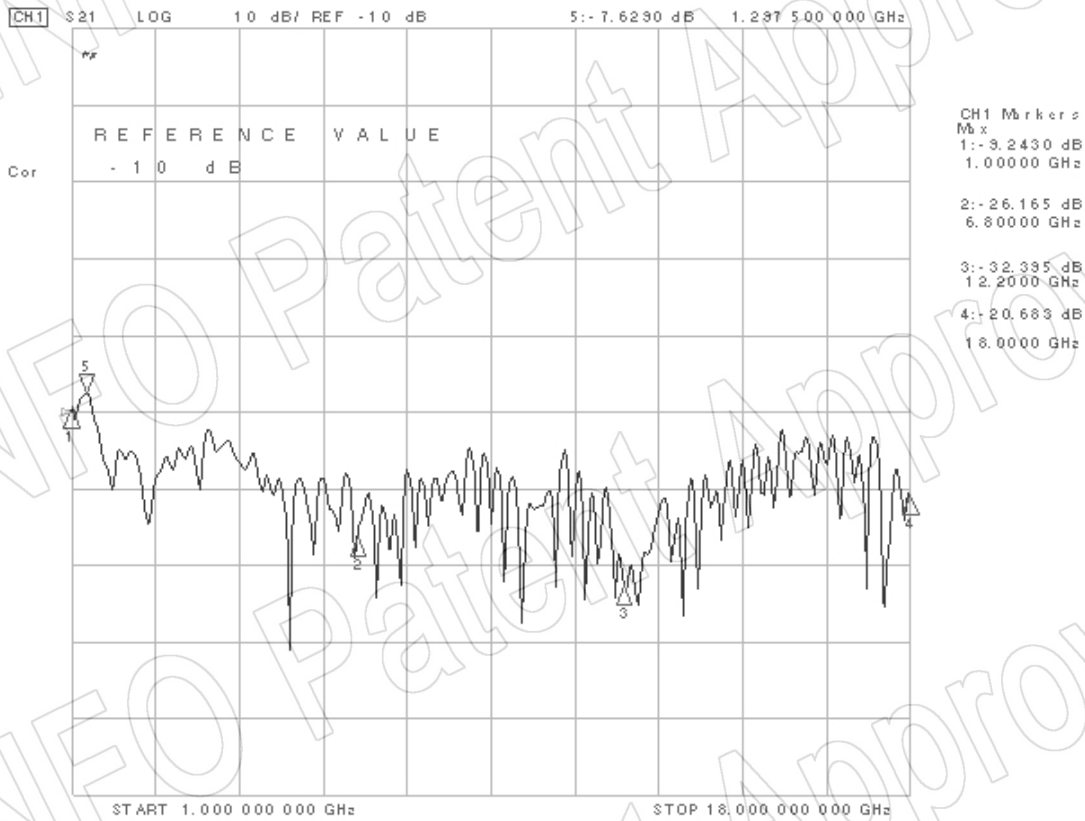
1. Gain



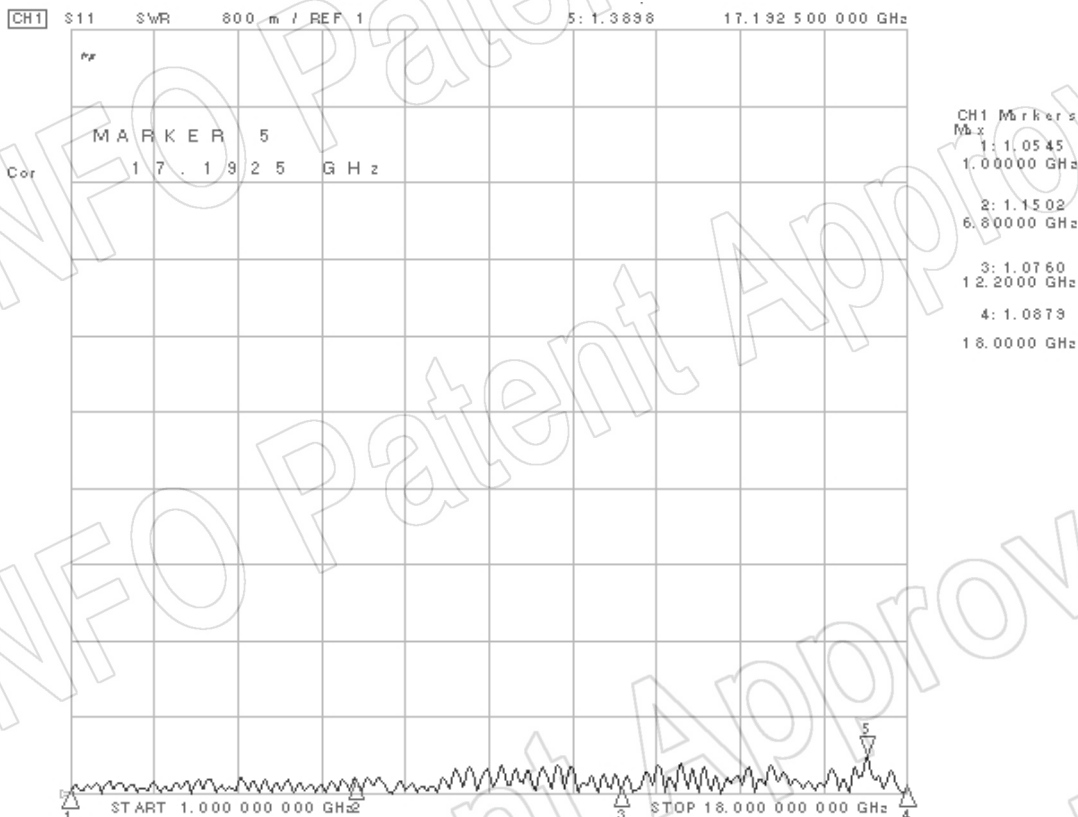
2. Axial Ratio



3. Port to Port Isolation



4. VSWR LHCP



AINFO Inc.

China(Beijing):
China(Chengdu):
USA :

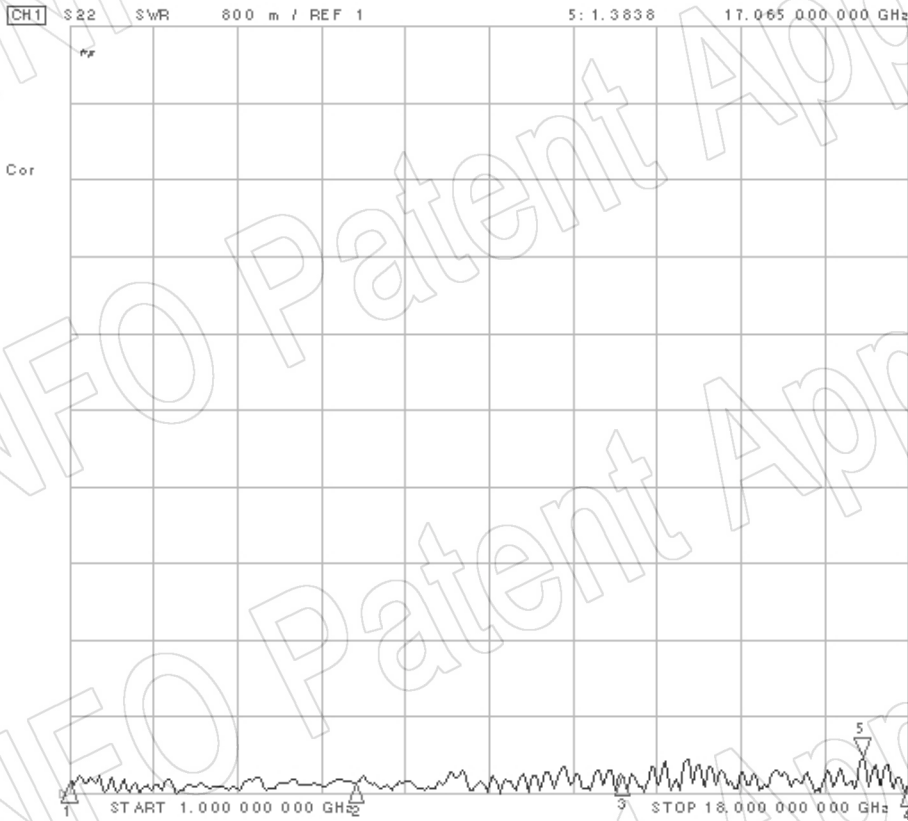
Tel: (+86) 10-6266-7326,
Tel: (+86) 28-8519-2786,
Tel: (+1) 949-639-9688,

(+86) 10-6266-7327
(+86) 28-8519-3044
(+1) 949-639-9608

Fax: (+86) 10-6266-7379
Fax: (+86) 28-8519-3068
Fax: (+1) 949-639-9670

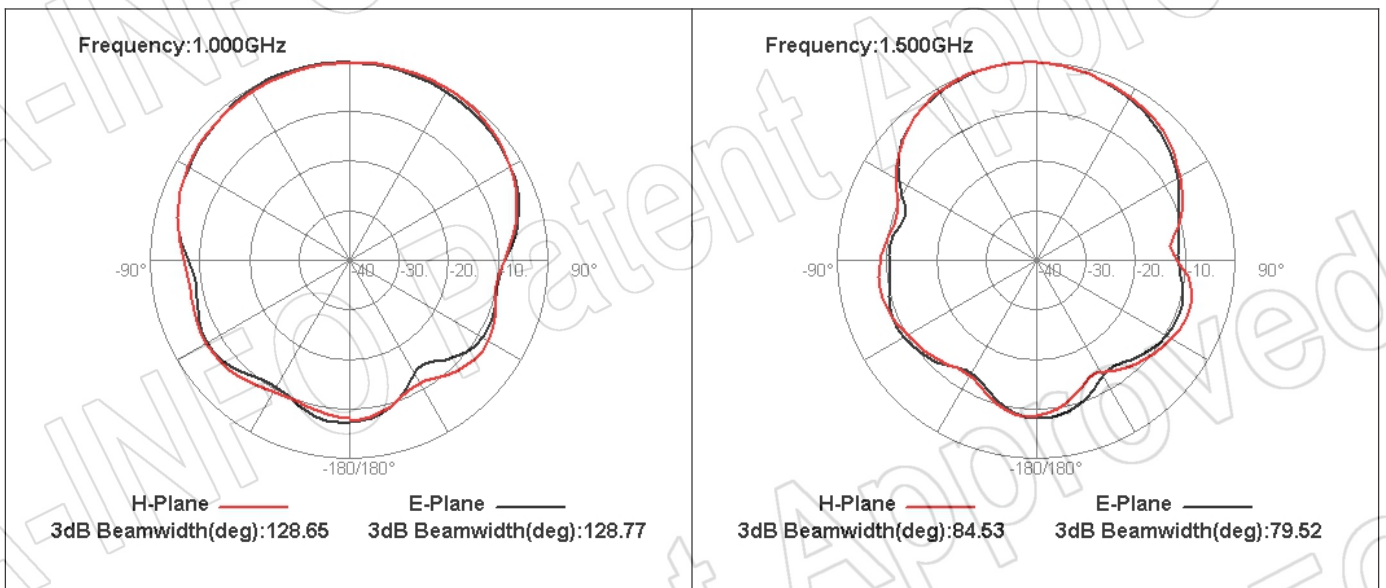
Website: www.ainfoinc.com
Email: sales@ainfoinc.com

RHCP



5. Pattern

LHCP



AINFO Inc.

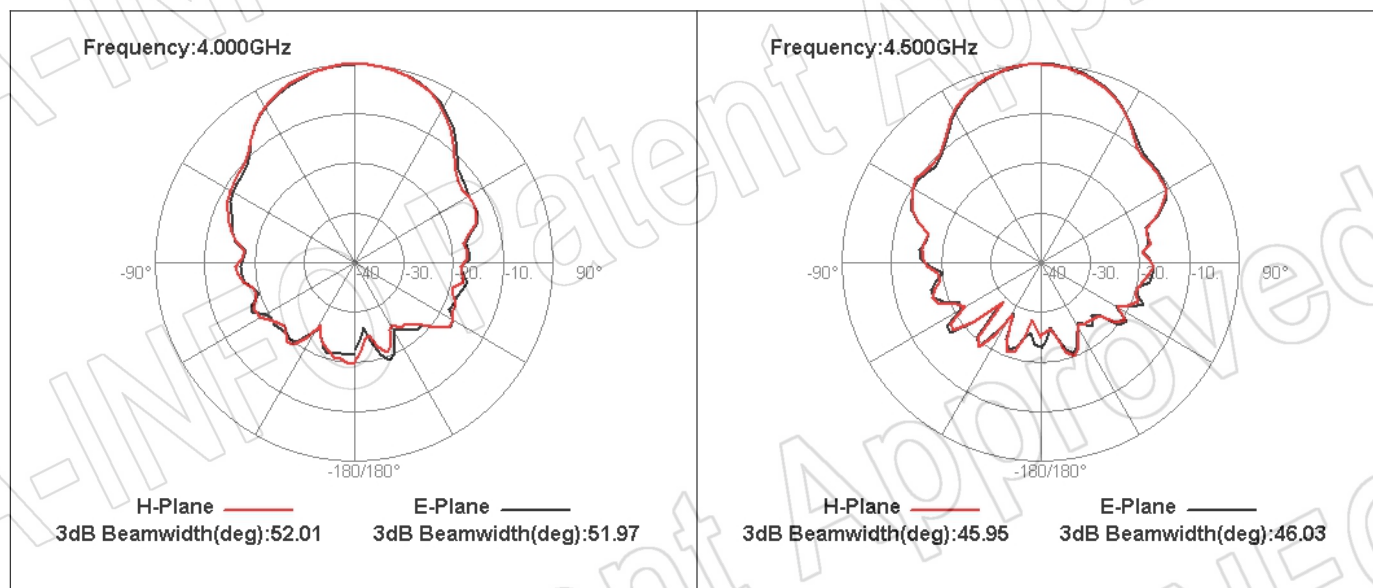
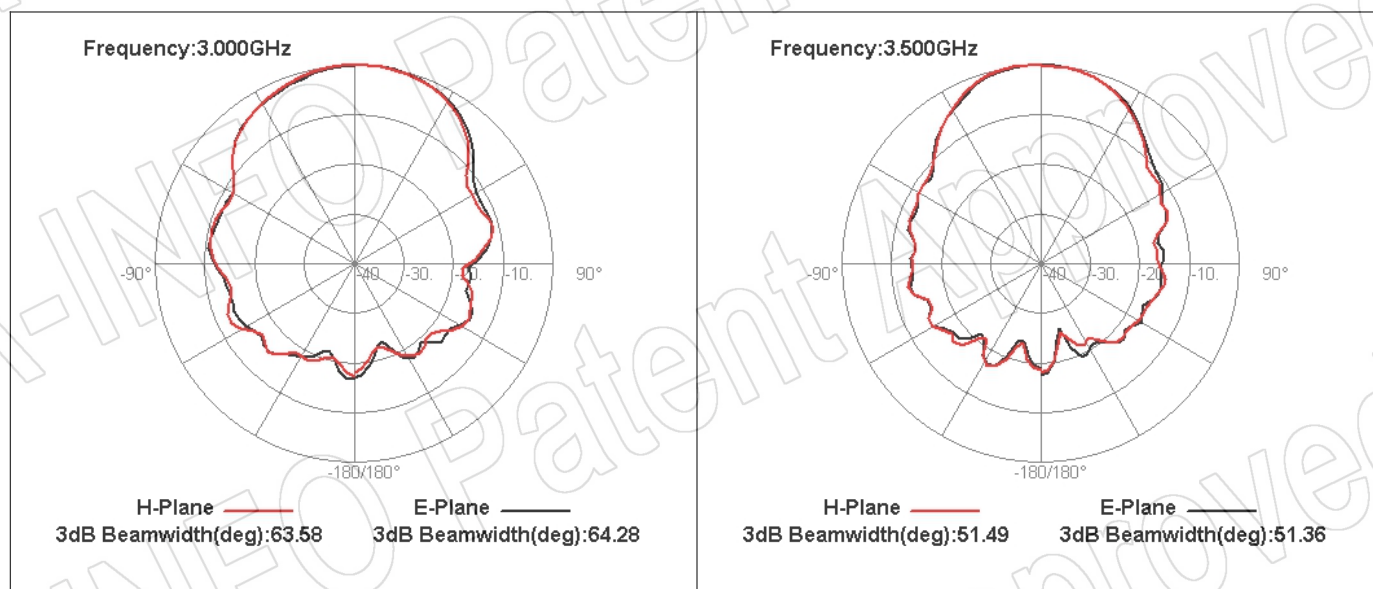
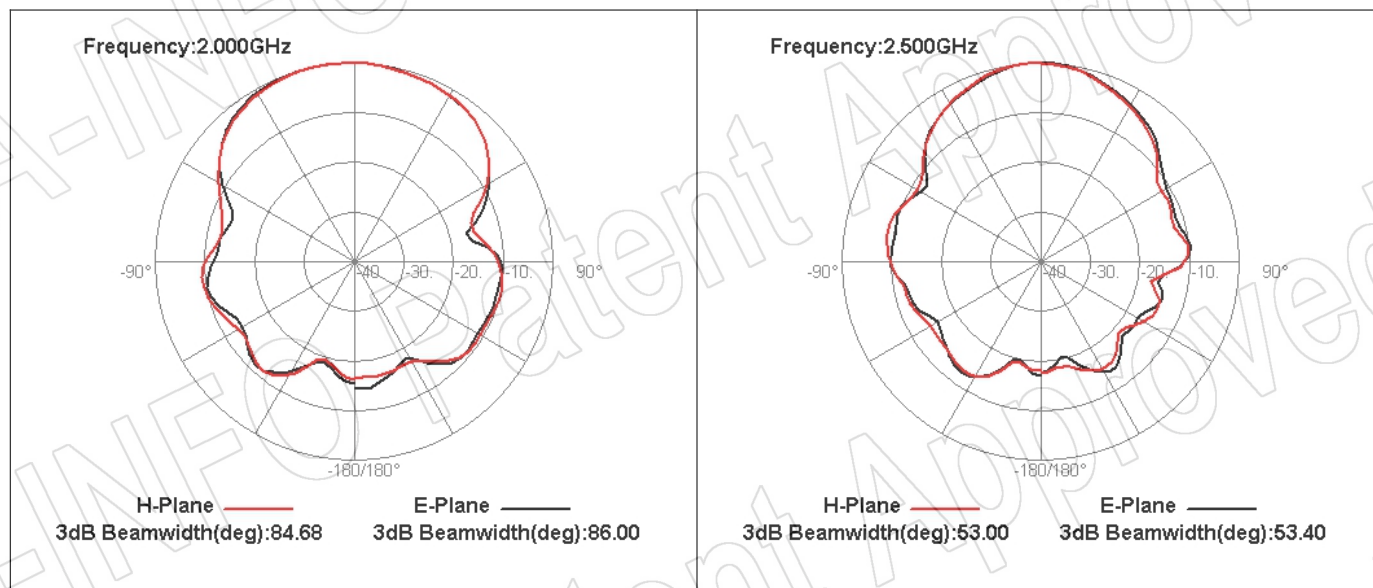
China(Beijing):
China(Chengdu):
USA :

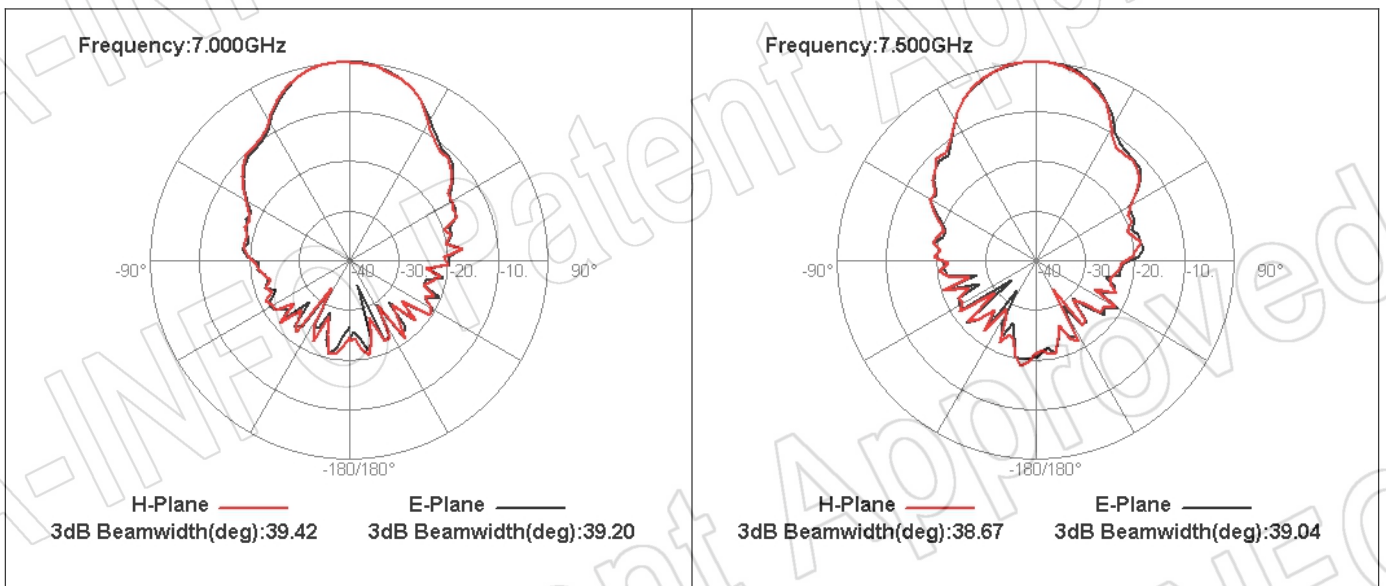
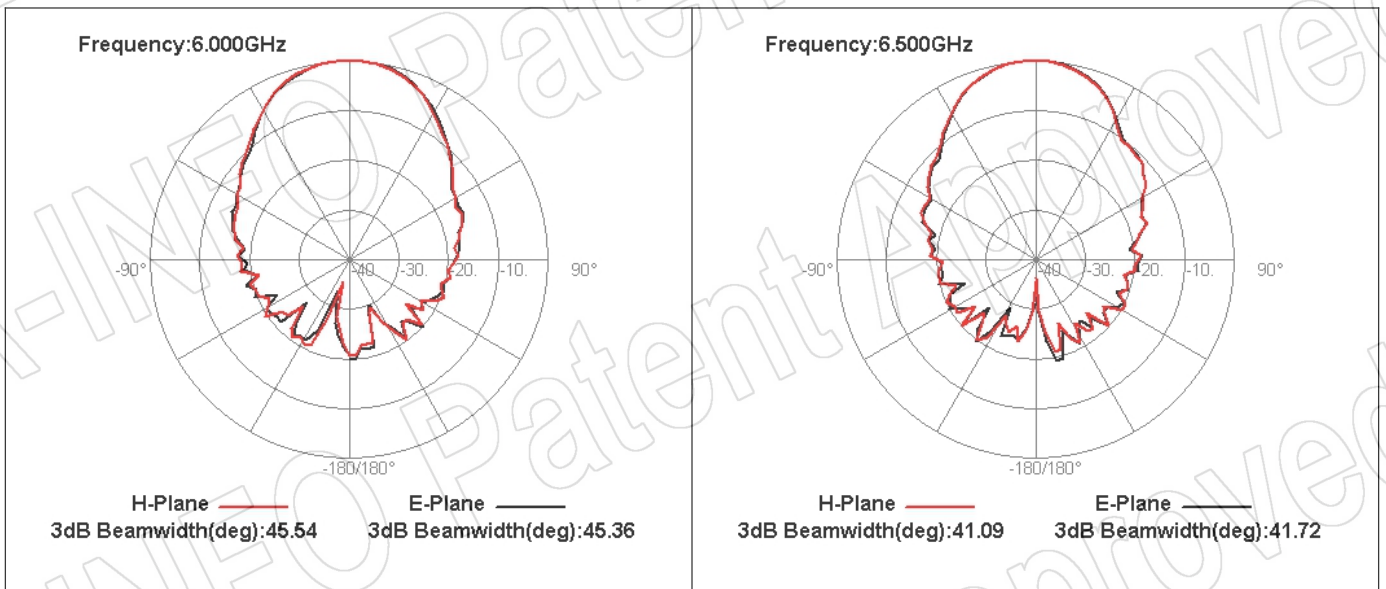
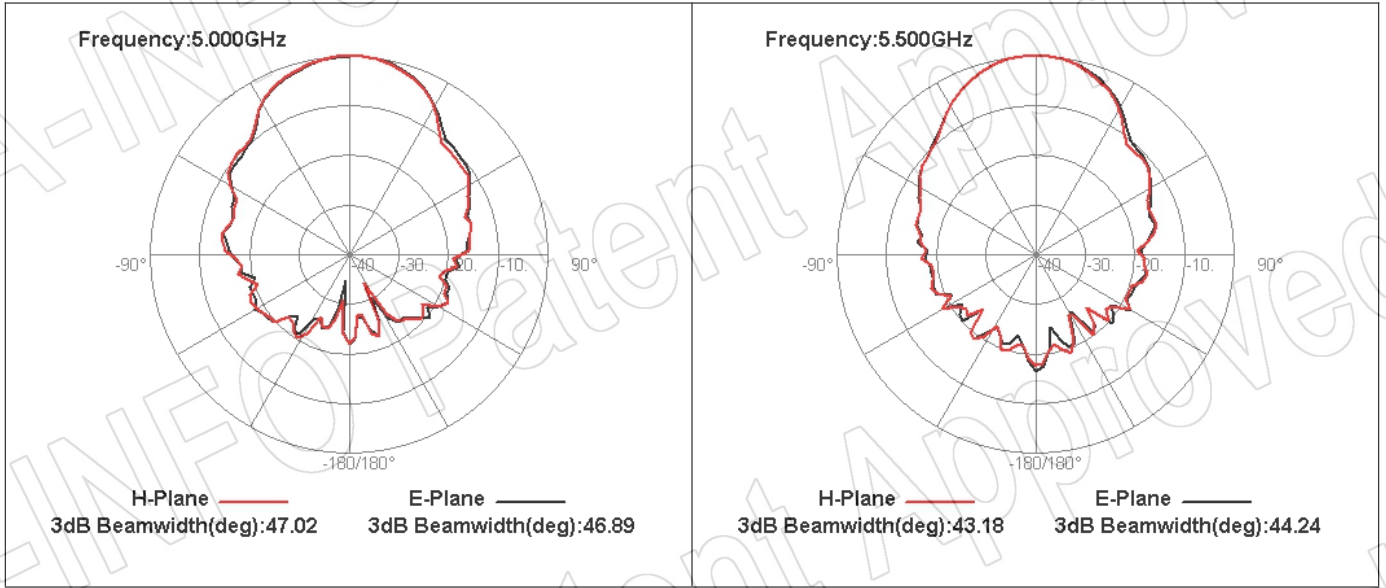
Tel: (+86) 10-6266-7326,
Tel: (+86) 28-8519-2786,
Tel: (+1) 949-639-9688,

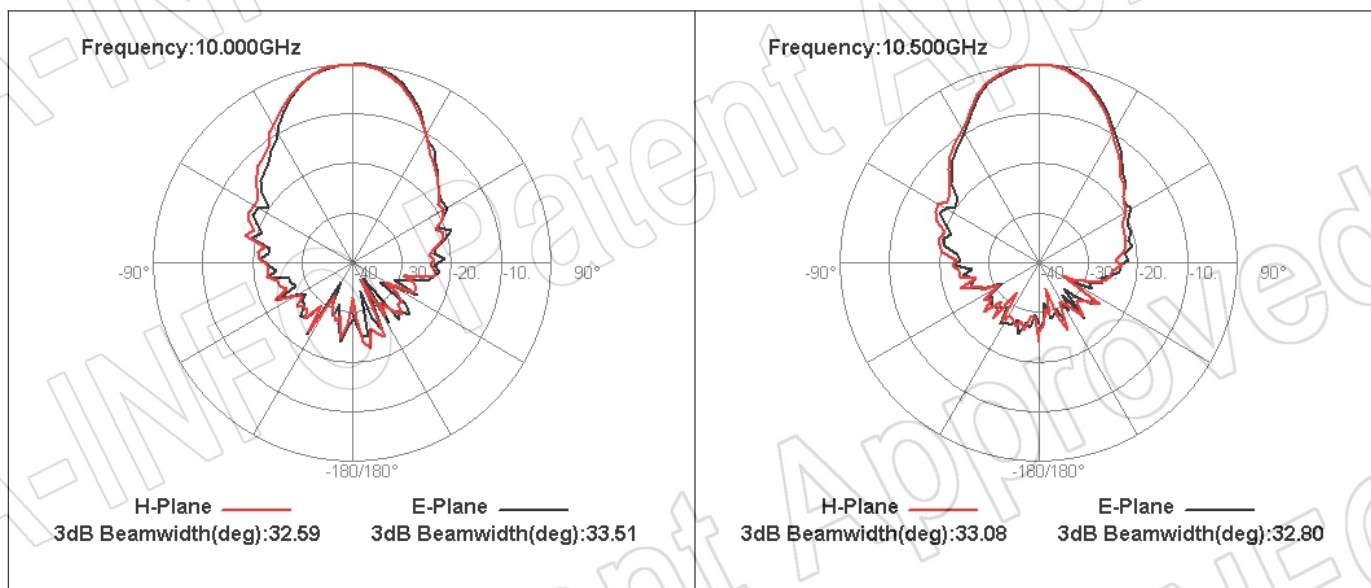
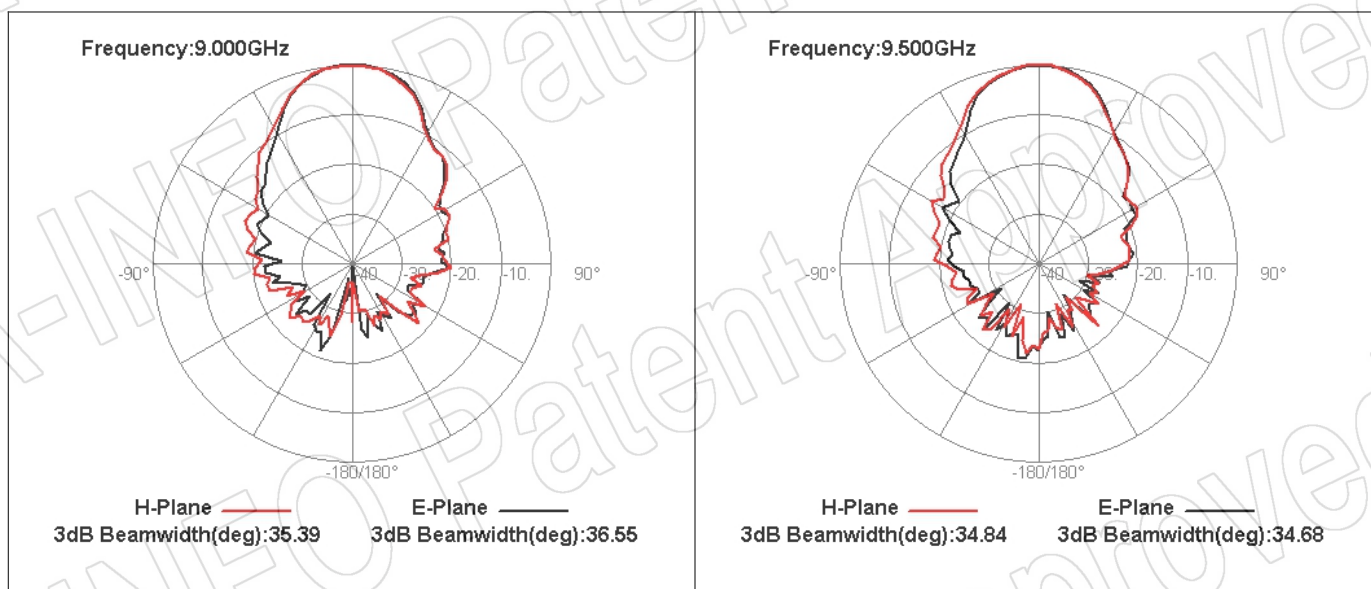
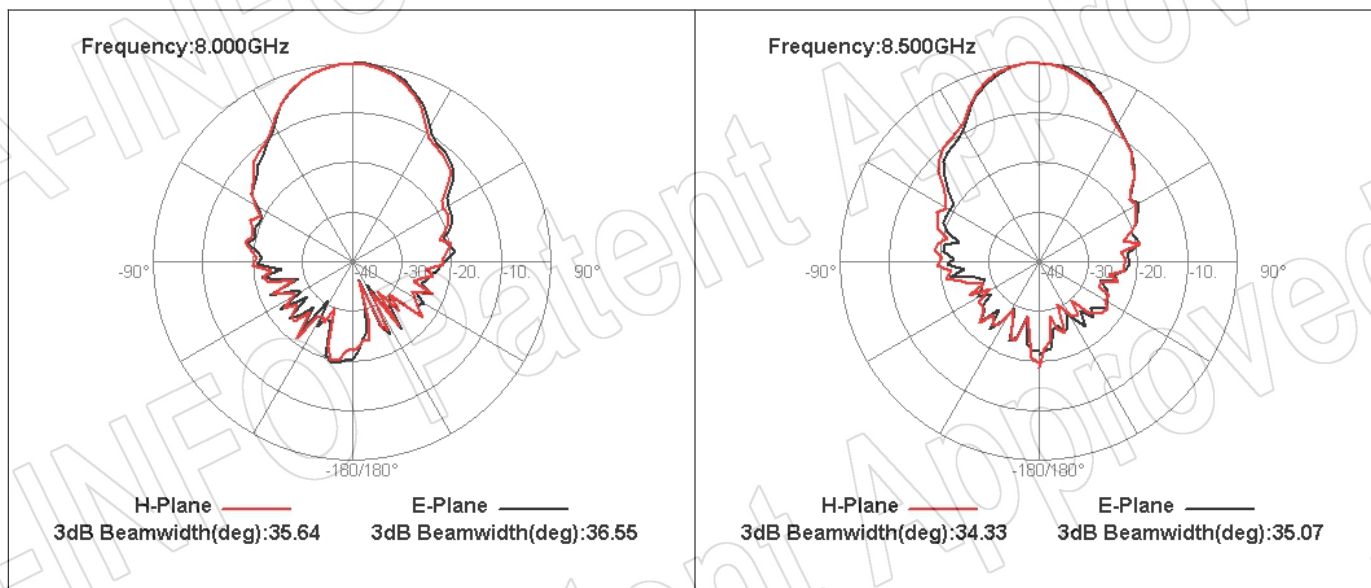
(+86) 10-6266-7327
(+86) 28-8519-3044
(+1) 949-639-9608

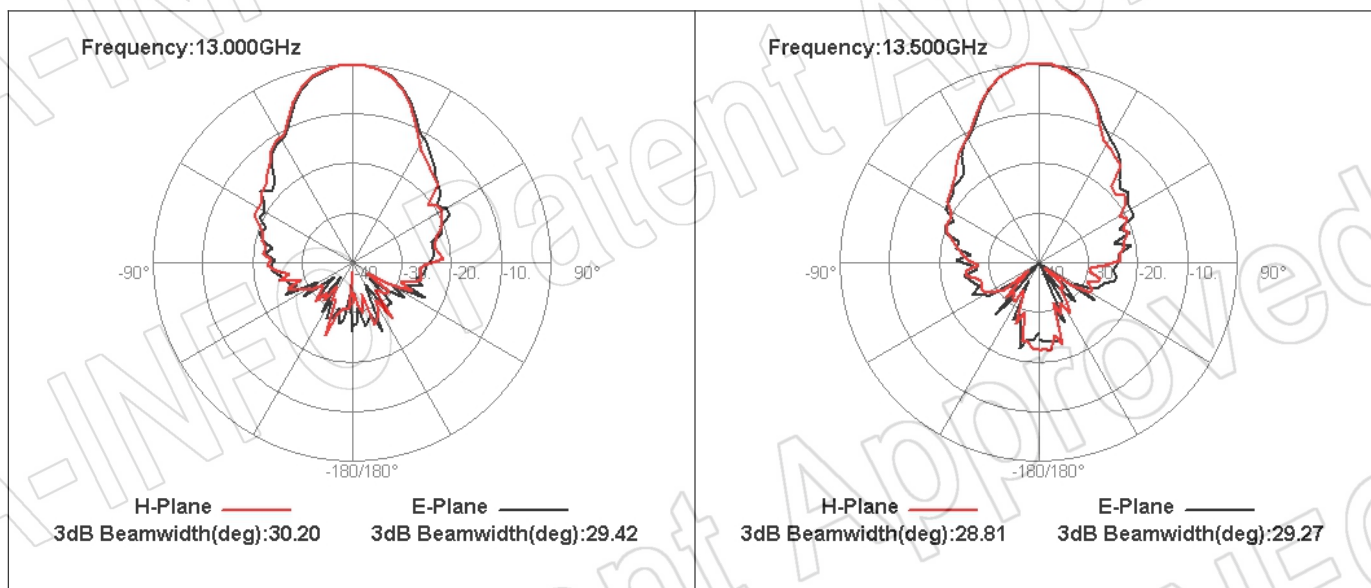
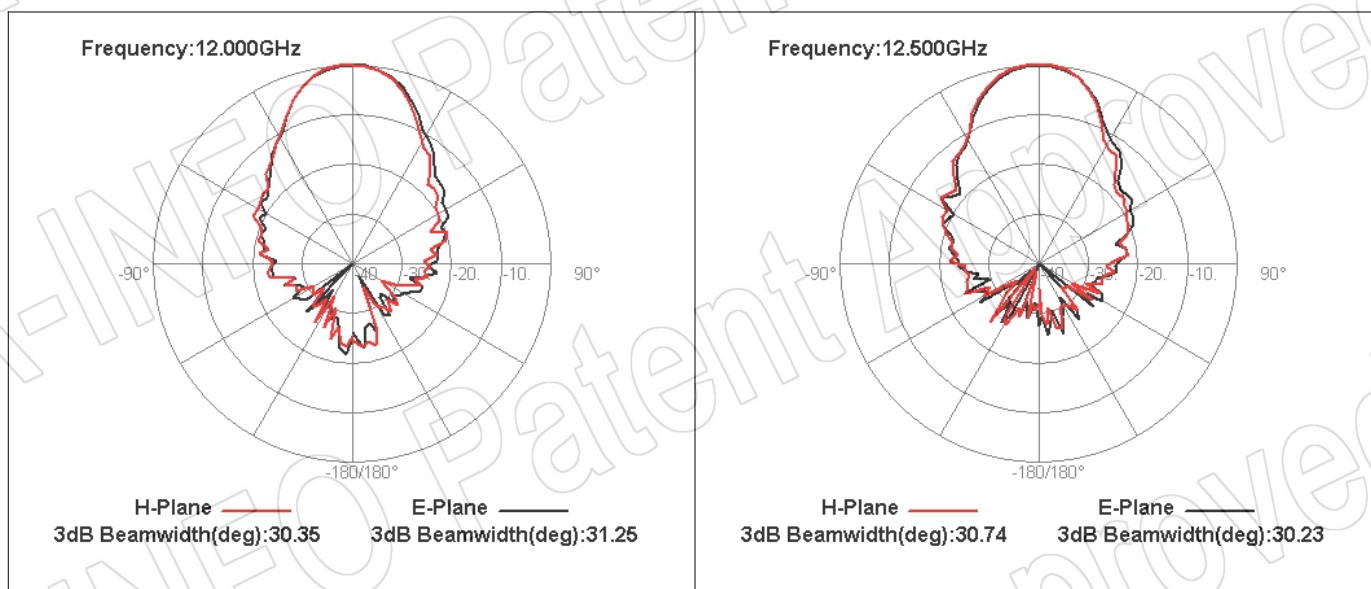
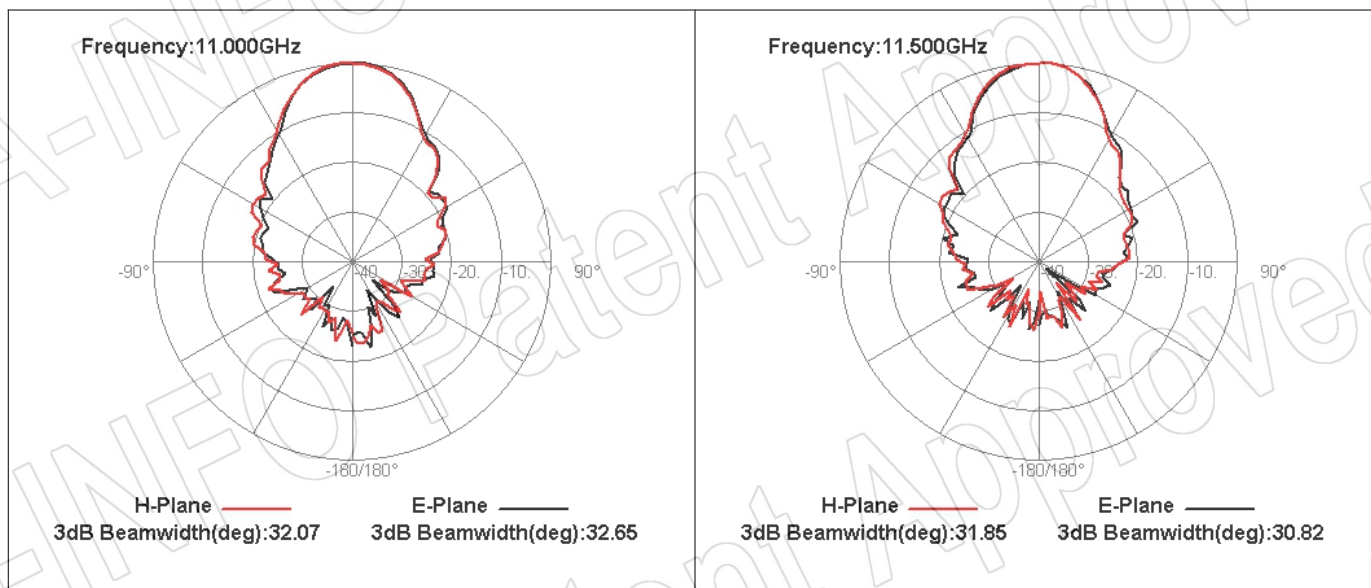
Fax: (+86) 10-6266-7379
Fax: (+86) 28-8519-3068
Fax: (+1) 949-639-9670

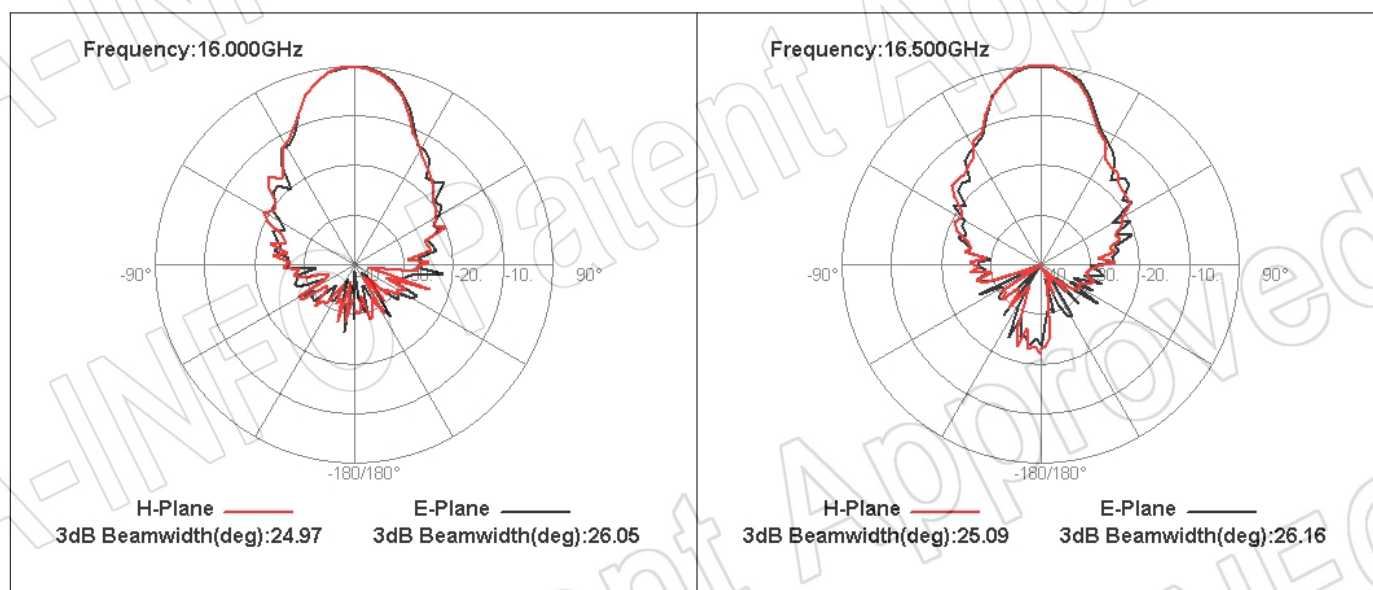
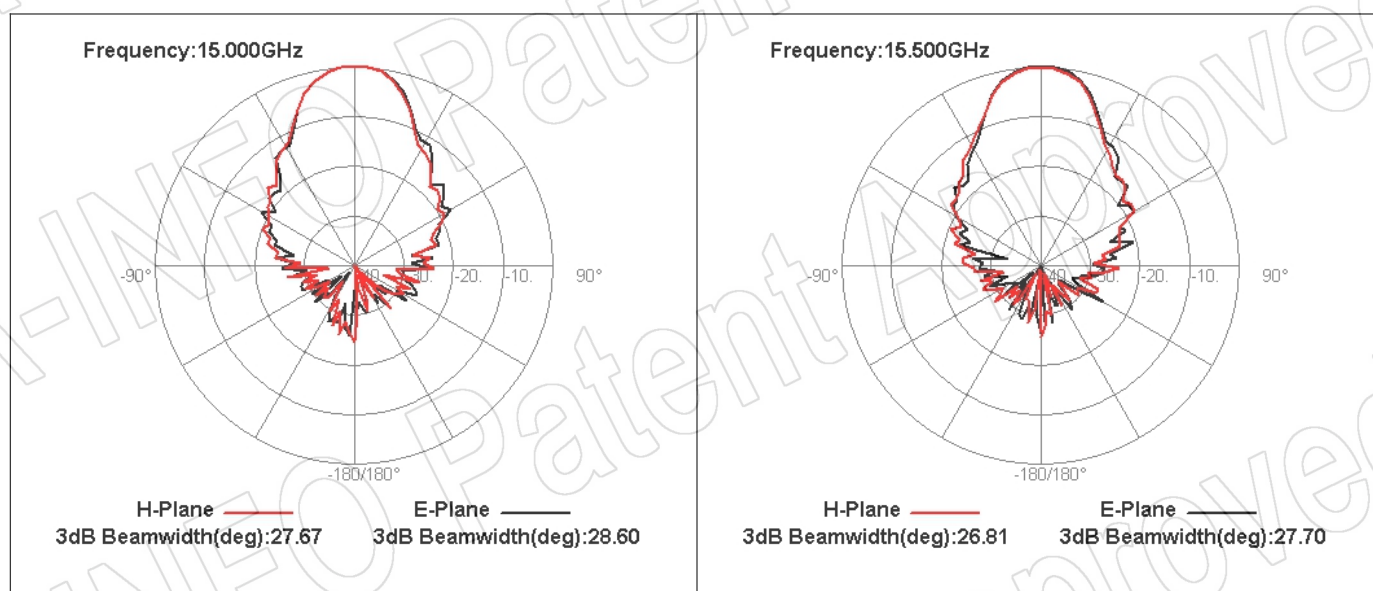
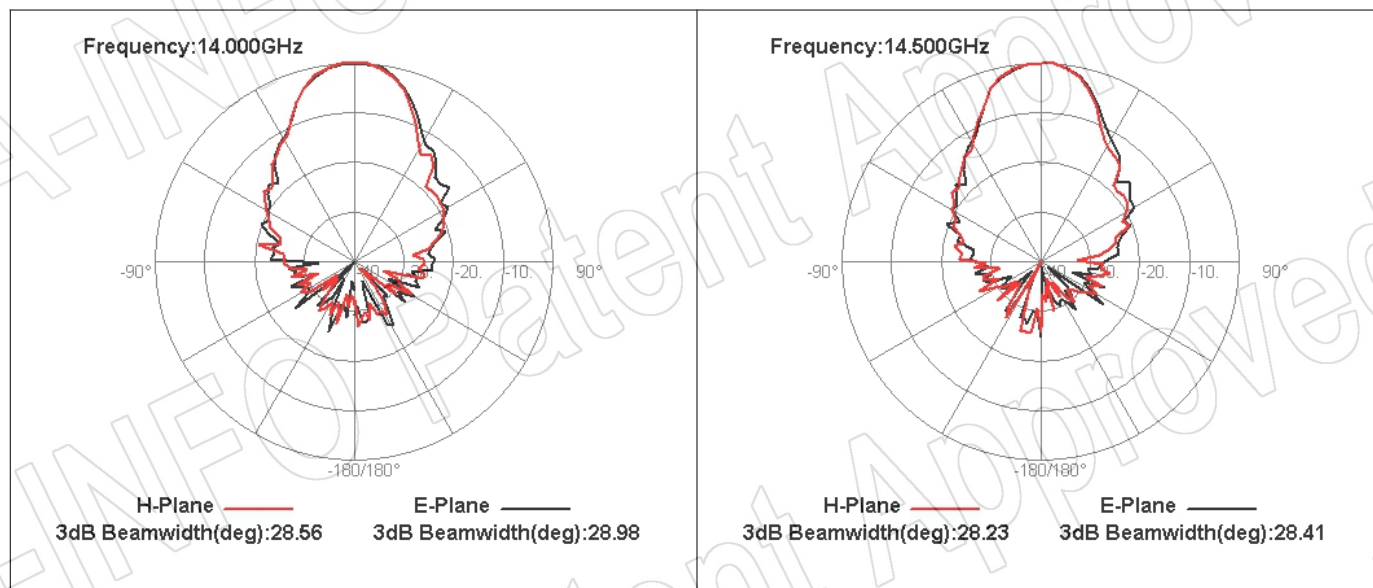
Website: www.ainfoinc.com
Email: sales@ainfoinc.com

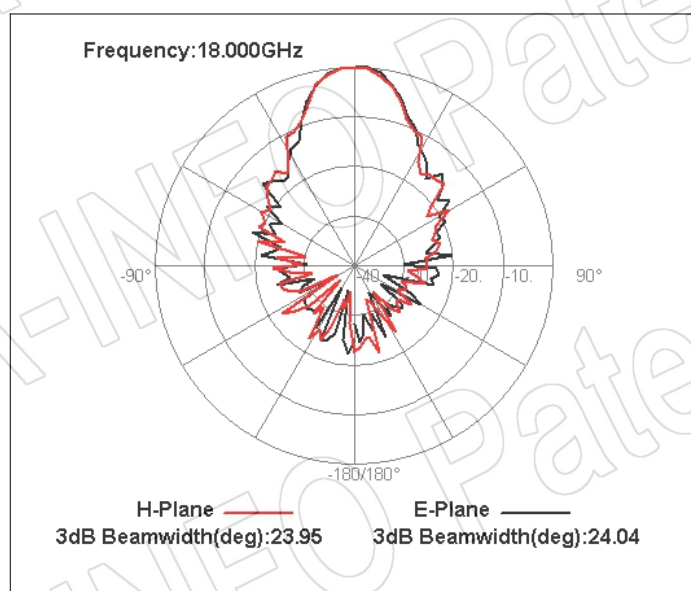
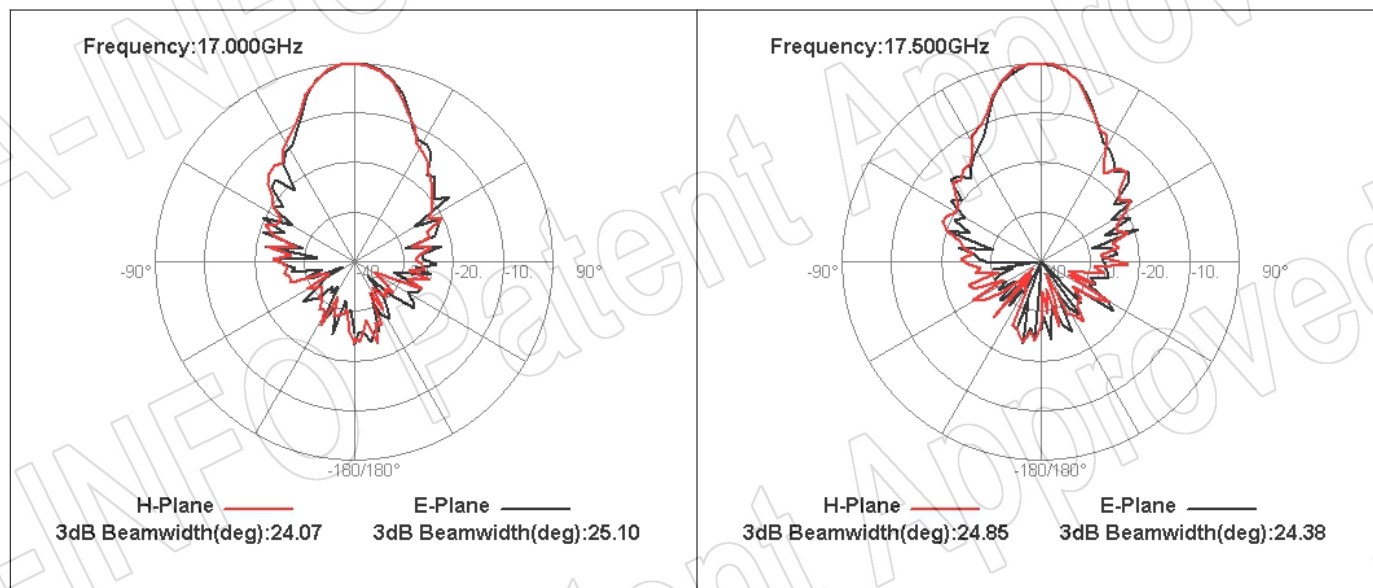












RHCP

